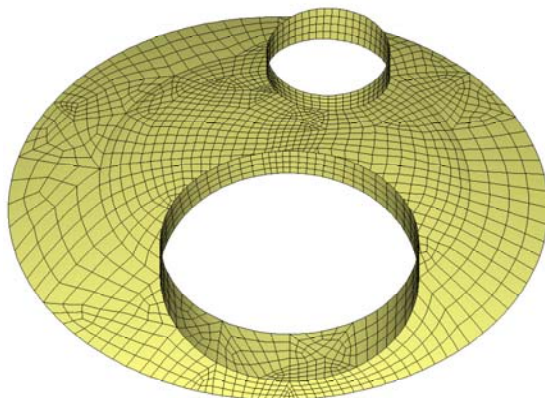


## Top cover for large reaction tank

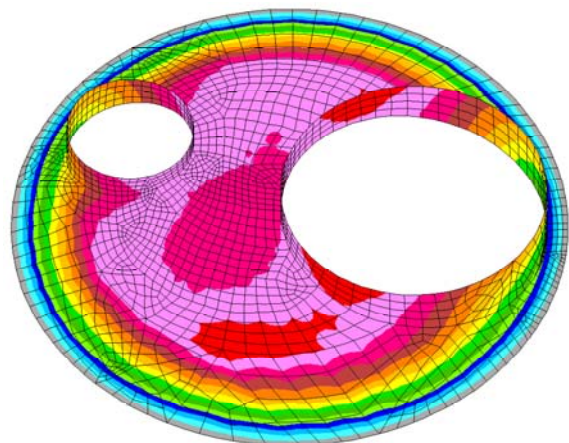
Client: Kronos Titan AS

Structural design of top cover on reaction tank containing sulphuric acid of varying concentration and temperatures (diameter 5,5 m).

- Selection of material
- Structural design
- Strength analysis; linear and non-linear
- Thermal stresses and temperature expansion
- Production procedure and post curing procedure
- QC during production
- Documentation



*FEA-model of top cover*



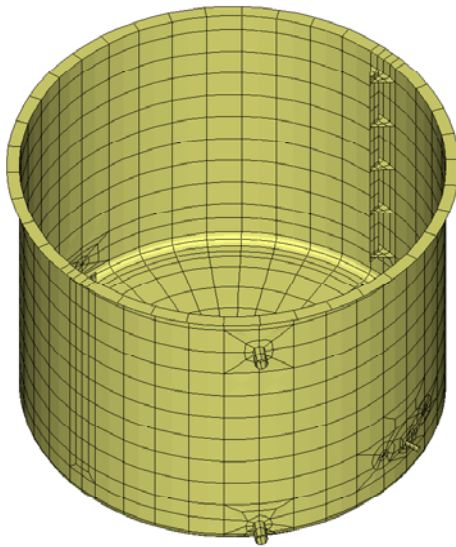
*Deformation plot of one loadcase*

## Chemical Treatment Tank

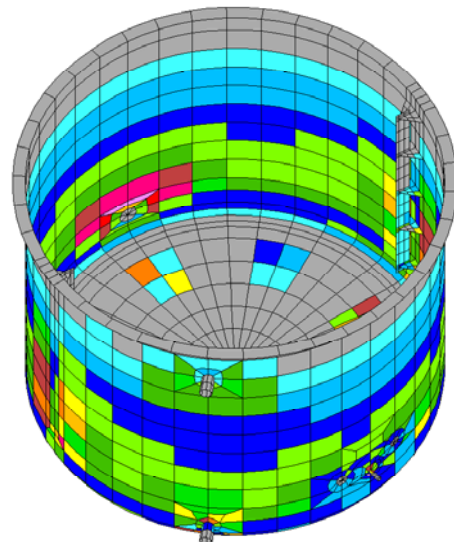
Client: Kronos Titan AS

Structural design of chemical treatment tank for liquid with a Ph of 10 to 13 (base)

- Material and design parameters according to BS 4994
- Structural design including integration of pipes and flow restrictors
- Strength analysis
- Production procedure and post curing procedure
- Documentation



*FEA-model of treatment tank*



*Plot of material utilisation according to the Tsai-Wu failure criterion*